

# Two-Part Clamp Type LT2



Tapping clamps for piping systems, applicable to these types of pipes:

- Steel/Stainless steel
- Casted iron
- Concrete/Cement
- PVC
- GRP
- PE/HDPE

## Pressure

For water pipes, the following bar ratings are applicable:

Pipe OD	Max Pressure*
90 - 350 mm	16 Bar
351 - 510 mm	10 Bar

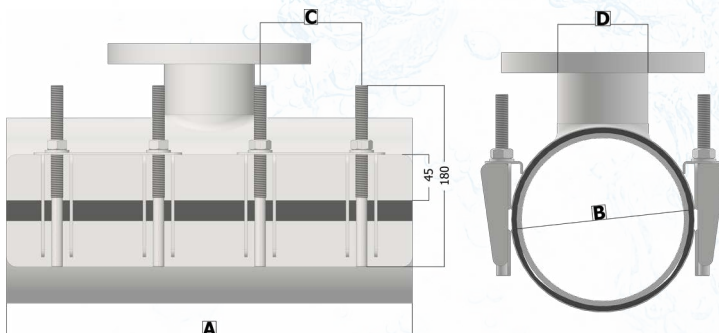
PN = max pressure/safety factor

## Dimensions

- A** Clamp length: 300/400/500/600 mm
- B** Pipe OD (range 20 mm): Ø 90 – Ø 528 mm
- C** Bolt centre distance: 100 mm (distance 50 mm is available on request)
- D** Flange outlet (DIN)

Flange	Minimum OD	Min. length A
DN50 PN16	> 90 mm	300 mm
DN65 PN16	> 90 mm	300 mm
DN80 PN16	> 90 mm	300 mm
DN100 PN16	> 114 mm	400 mm
DN125 PN16	> 150 mm	400 mm
DN150 PN16	> 170 mm	500 mm
DN200 PN10	> 240 mm	500 mm

- Outlets DN250 or larger are available on request
- For plastic pipes (PE/PVC) pipes it is advised to use a clamp length of 1,5 x pipe OD



## Material

<b>Stainless steel</b>	AISI 304 (1.4301) / AISI 316 (1.4404)
<b>Treatment</b>	Pickling & Passivating
<b>Bolts</b>	Stainless steel
<b>Nuts</b>	Stainless steel, Electrolytically galvanized
<b>Flange Outlet</b>	Stainless steel

Bolt	Torque	Bridge plate
M16	120 nm	3 mm

Pipe OD	Sheet thickness
90 - 410 mm	1,5 mm
> 410 mm	2,0 mm

## Gaskets

Rubber gasket with waffle pattern

Gasket	Application	Temperature
EPDM	Drinking water Wastewater Air, Acids.	-20°C to 70°C continuously. Peak to 120°C.
EPDM 150°C	Wastewater, Heated air, Hot water,	-20°C to 120°C continuously. Peak to 150°C
NBR	Gas ,Wastewater, Heated air, Oil	-15°C to 70°C continuously. Peak to 100°C.
Viton	Diversity of aggressive chemicals.	-15°C to 200°C continuously. Peak to 250°C.

In case the product you are looking for is not represented in this document or if you have any other questions, please contact our sales department: [sales@leendersrepairclamps.com](mailto:sales@leendersrepairclamps.com)

\*All bar Ratings are based on factory acceptance test criteria, circumstances which are unique to the situation in which the product is used can influence the maximum pressure. Leenders Repair Clamps BV can therefore never accept responsibility for malfunction caused by external factors.

