

One-Part Clamp Type L1A



Tapping clamps for piping systems, applicable to these types of pipes:

- Steel/Stainless steel
- Casted iron
- Concrete/Cement
- PVC
- GRP
- PE/HDPE

Pressure

For water pipes, the following bar ratings are applicable:

Pipe OD	Max Pressure*
38 - 230 mm	16 Bar
231 - 355 mm	10 Bar

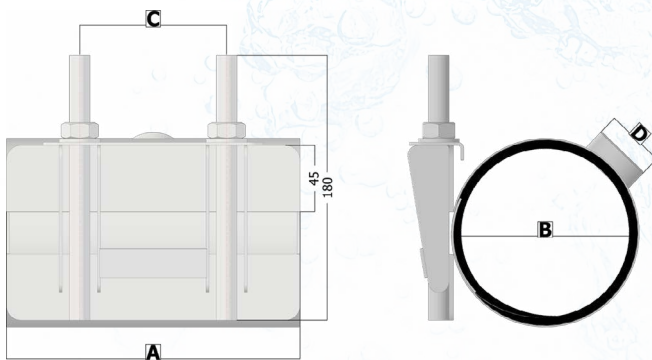
PN = max pressure/safety factor

Dimensions

- A** Clamp length: 150/200/250/300 mm
B Pipe OD
- Ø 17 – Ø 59 mm = range 4 mm
 - Ø 60 – Ø 100 mm = range 7 mm
 - Ø 101 – Ø 360 mm = range 10 mm
- C** Bolt centre distance: 100 mm
D BSP outlet (male/female)

Outlet	Minimum OD	Min. length A
½ inch	> 38 mm	150 mm
¾ inch	> 44 mm	150 mm
1 inch	> 48 mm	150 mm
1¼ inch	> 60 mm	150 mm
1½ inch	> 60 mm	200 mm
2 inch	> 82 mm	200 mm

For plastic pipes (PE/PVC) pipes it is advised to use a clamp length of 1,5 x pipe OD



Material

Stainless steel	AISI 304 (1.4301) / AISI 316 (1.4404)
Treatment	Pickling & Passivating
Bolts	Stainless steel
Nuts	Stainless steel, Electrolytically galvanized
BSP Outlet	Stainless steel

Pipe OD	Bolt	Torque	Bridge plate
38 - 130 mm	M12	80 nm	2 mm
131 - 354 mm	M14	100 nm	2 mm
> 354 mm	M16	120 nm	3 mm

Pipe OD	Sheet thickness
38 - 255 mm	0,8 mm
256 - 355 mm	1,0 mm

Gaskets

Rubber gasket with waffle pattern

Gasket	Application	Temperature
EPDM	Drinking water Wastewater Air, Acids.	-20°C to 70°C continuously. Peak to 120°C.
EPDM 150°C	Wastewater, Heated air, Hot water,	-20°C to 120°C continuously. Peak to 150°C
NBR	Gas ,Wastewater, Heated air, Oil	-15°C to 70°C continuously. Peak to 100°C.
Viton	Diversity of aggressive chemicals.	-15°C to 200°C continuously. Peak to 250°C.

In case the product you are looking for is not represented in this document or if you have any other questions, please contact our sales department: sales@leendersrepairclamps.com

*All bar Ratings are based on factory acceptance test criteria, circumstances which are unique to the situation in which the product is used can influence the maximum pressure. Leenders Repair Clamps BV can therefore never accept responsibility for malfunction caused by external factors.

